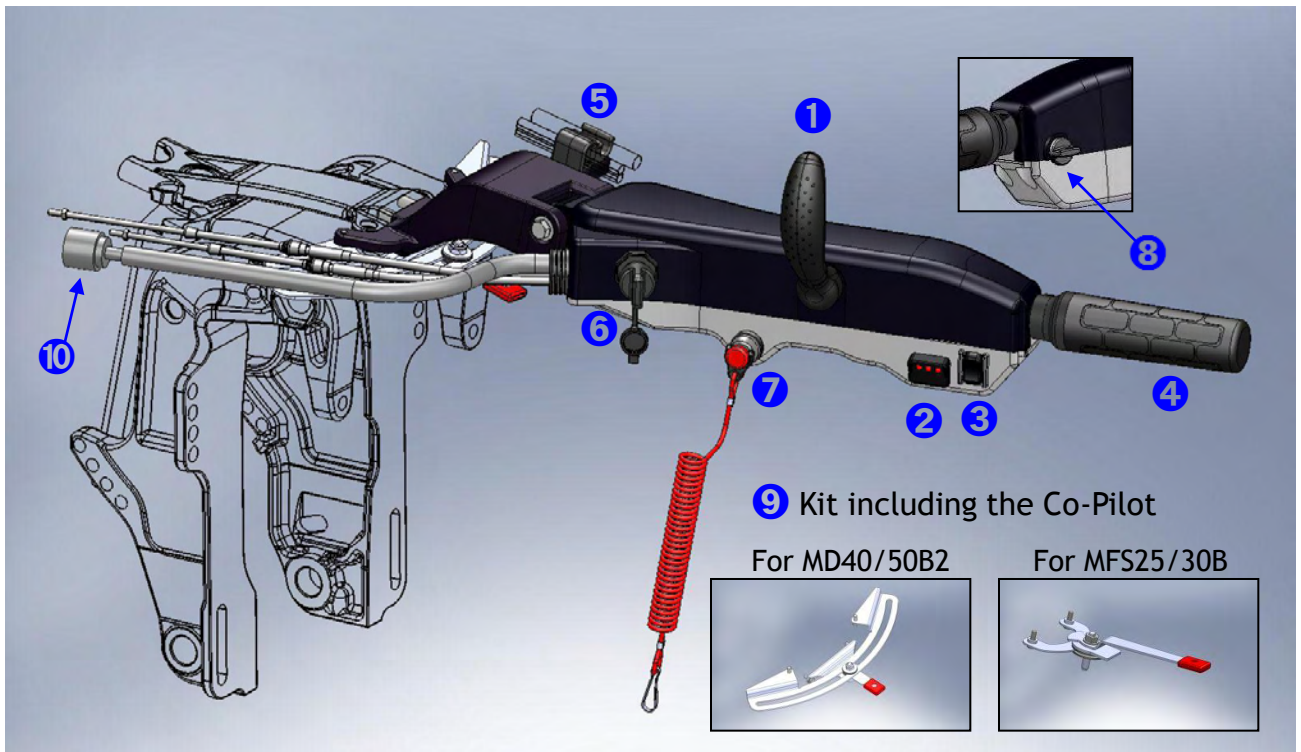


# Sales Information

Distribute to:  Sales div.  Service persons  Parts div.  Accounting div. **No.12-001**

## New Multi Tiller Handle Kit



	Applicable Models	Parts Number	Availability
MD40/50B2	#014213AB and later models	3GFQ63000-0	In July 2012
MFS25/30B	#014362AB and later models	3AHQ63000-0	In July 2012

- ① Ergonomically designed shift lever offers smooth shifting for convenience and comfort.
- ② Warning lamp included: Oil Level, Engine Temperature, Battery. (Available for MD40/50model)
- ③ Conveniently positioned power tilt and trim switch allows easy access.
- ④ Longer throttle grip with 110 degrees rotation for easier maneuverability.
- ⑤ Battery cable holder equipped for convenience and comfort rigging.
- ⑥ Key switch locates where easily accessible by the operation hand.
- ⑦ Engine stop lanyard switch positioned not to interfere with tiller operation.
- ⑧ Throttle friction allows fine-tuning of the tiller for comfort.
- ⑨ Steering Co-Pilot allows fine-tuning the of tiller for safety.
- ⑩ Utilizing the same wiring harness of remote control for quick and consistent rigging.